

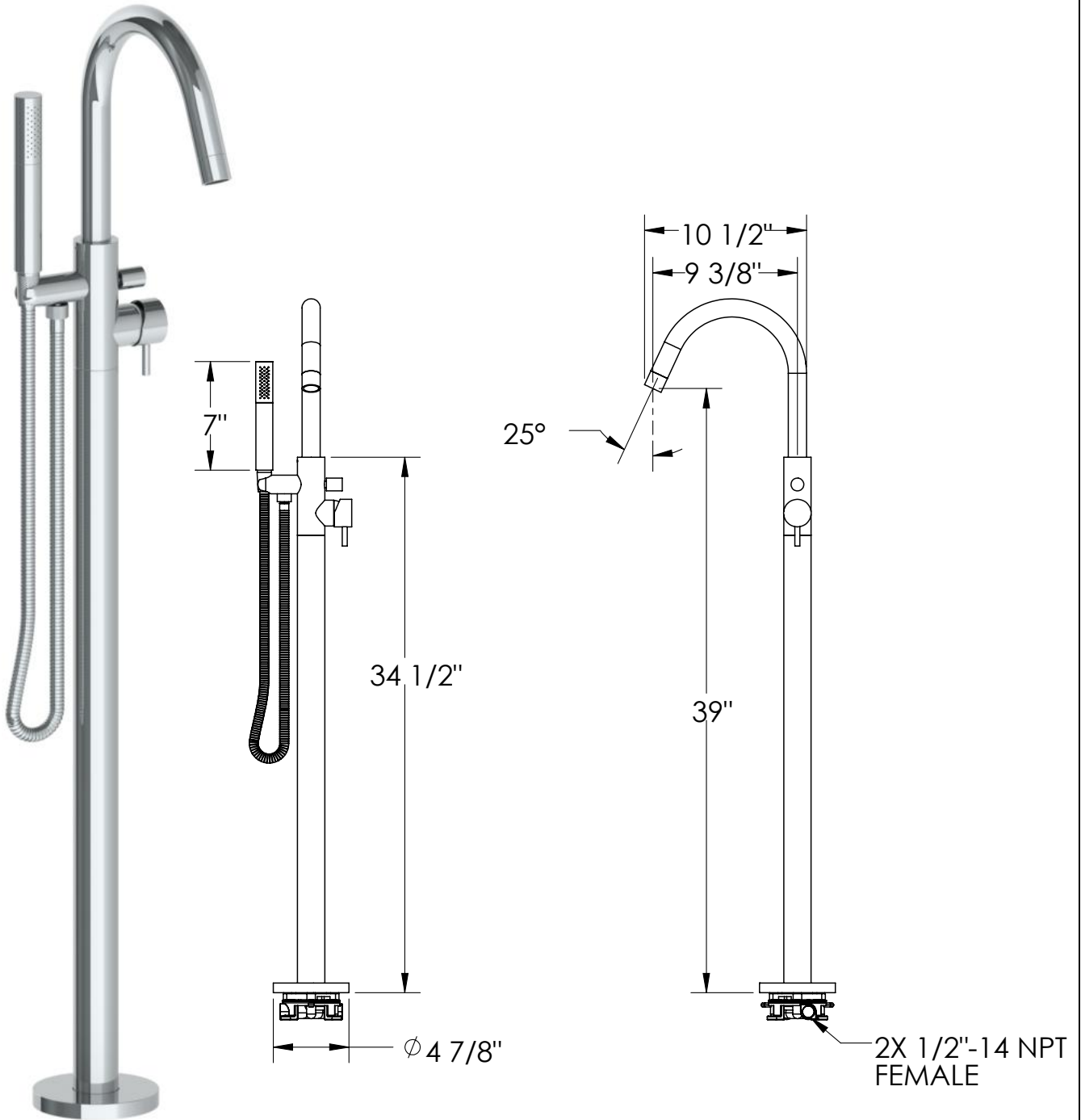
23-8.8G-L8

Floor Mounted Tub Filler with Hand Shower, Trim Only

Requires: SS-248.8FLR-RGH concealed rough

Hand Shower Flow Rate: 1.75 GPM

Note: Some building codes require remote pressure balance valves, such as our SS-PB50, for anti-scald.



Meets the applicable requirements of ASME A112.18.1-2005/CSA B125.1-05, entitled "Plumbing Supply Fittings".

WATERMARK DESIGNS 3/10/2020

350 Dewitt Ave Brooklyn NY 11207 USA T 718 257 2800 F 718 257 2144 info@watermark-designs.com